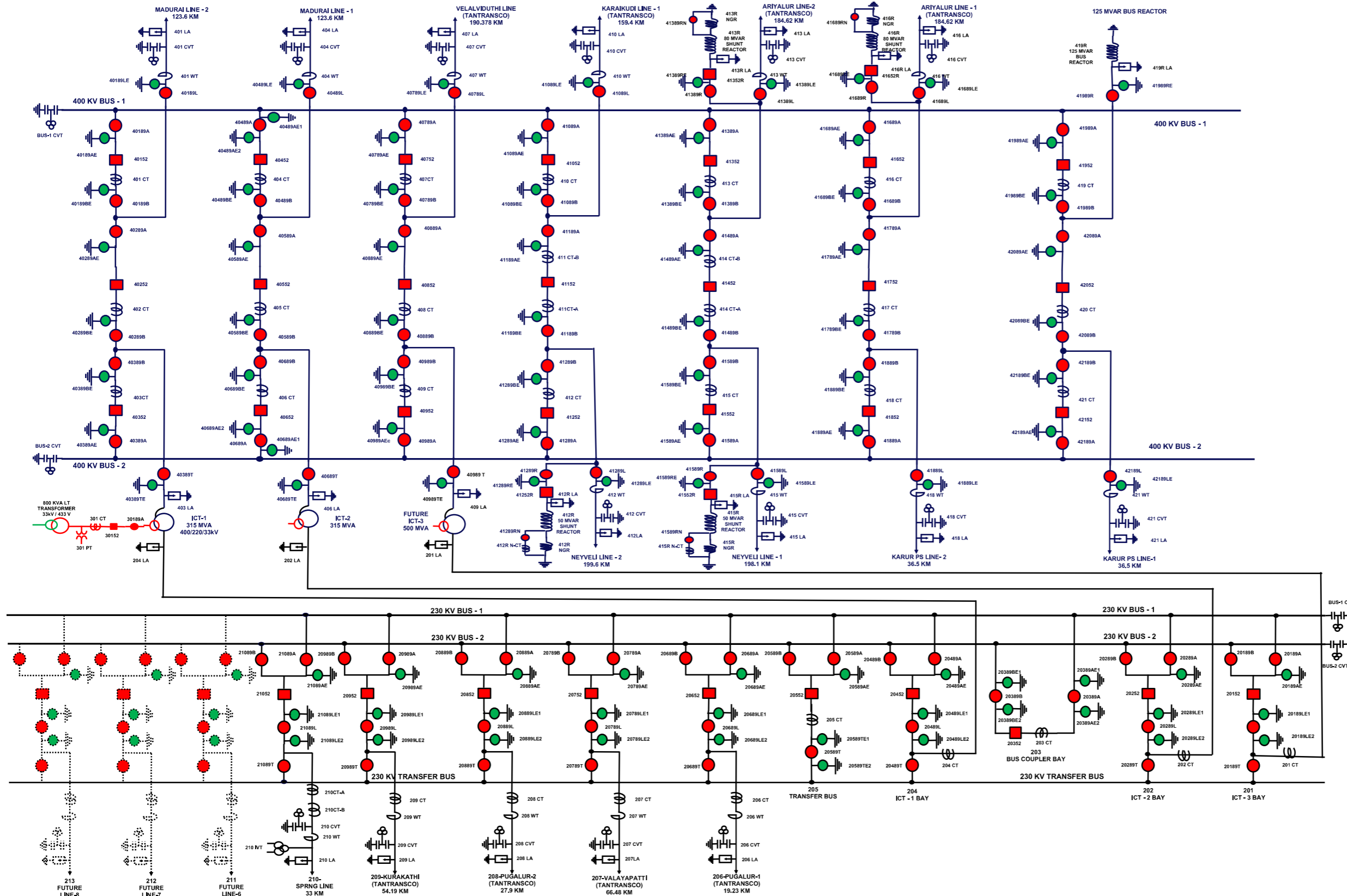


SINGLE LINE DIAGRAM OF 400/230 kV KARUR SS



	INTER CONNECTING TRANSFORMER (ICT) 400/230/33 KV
	400 KV, 80 MVAR SHUNT REACTOR WITH NGR & NGR BYEPASS ARRANGEMENT WITH BYE PASS ISOLATOR
	400 KV, 50 MVAR SHUNT REACTOR WITH NGR & NGR BYEPASS ARRANGEMENT WITH BYE PASS ISOLATOR AND CURRENT TRANSFORMER
	800 KVA AUXILIARY TRANSFORMER (33 KV / 433 V)
	CIRCUIT BREAKER
	CURRENT TRANSFORMER
	CAPACITIVE VOLTAGE TRANSFORMER
	ISOLATOR (HORIZONTAL DOUBLE BREAK)
	EARTH SWITCH
	LIGHTNING ARRESTOR
	WAVE TRAP
	33KV POTENTIAL TRANSFORMER
	400 KV SYSTEM
	230 KV SYSTEM
	33 KV SYSTEM
	433 V SYSTEM